

BASIC INSTRUCTIONS PG. 1 of 5

- PRINT OUT
- CUT OUT ALONG SOLID LINES AND THEN FOLD ON DOTTED LINES (XACTO KNIFE WORKS BEST)

FIG A

APPLY GLUE TO THIS BLUE STRIP AND STICK TO OPPOSITE SIDE TO CREATE THE BOTTOM OF THIS PIECE

APPLY GLUE TO THE REVERS SIDE OF THIS FOLD AND STICK TO BOTTOM

THESE TABS WILL GLUE ON TO FIG B

USE THIS TAB TO GLUE ON TO BOTTOM OF FIG C

FIG C

TABS ON THIS SIDE WILL GLUE TO THE BACK THIS FOLD

APPLY GLUE TO THIS BLUE STRIP AND STICK TO OPPOSITE SIDE

FIG A FOLD AND GLUE INTO THIS SHAPE

FIG B FOLD AND GLUE INTO THIS SHAPE

FIG A

FIG B

GLUE SHAPES TOGETHER

FIG C FOLD AND GLUE INTO THIS SHAPE

FIG C

FIG A

FIG B

GLUE SHAPES TOGETHER

THIS FOLD IS THE BOTTOM

GLUE ON REVERSE SIDE AND FOLD IN HALF

FIG B

THESE TABS WILL GLUE ON TO FIG B

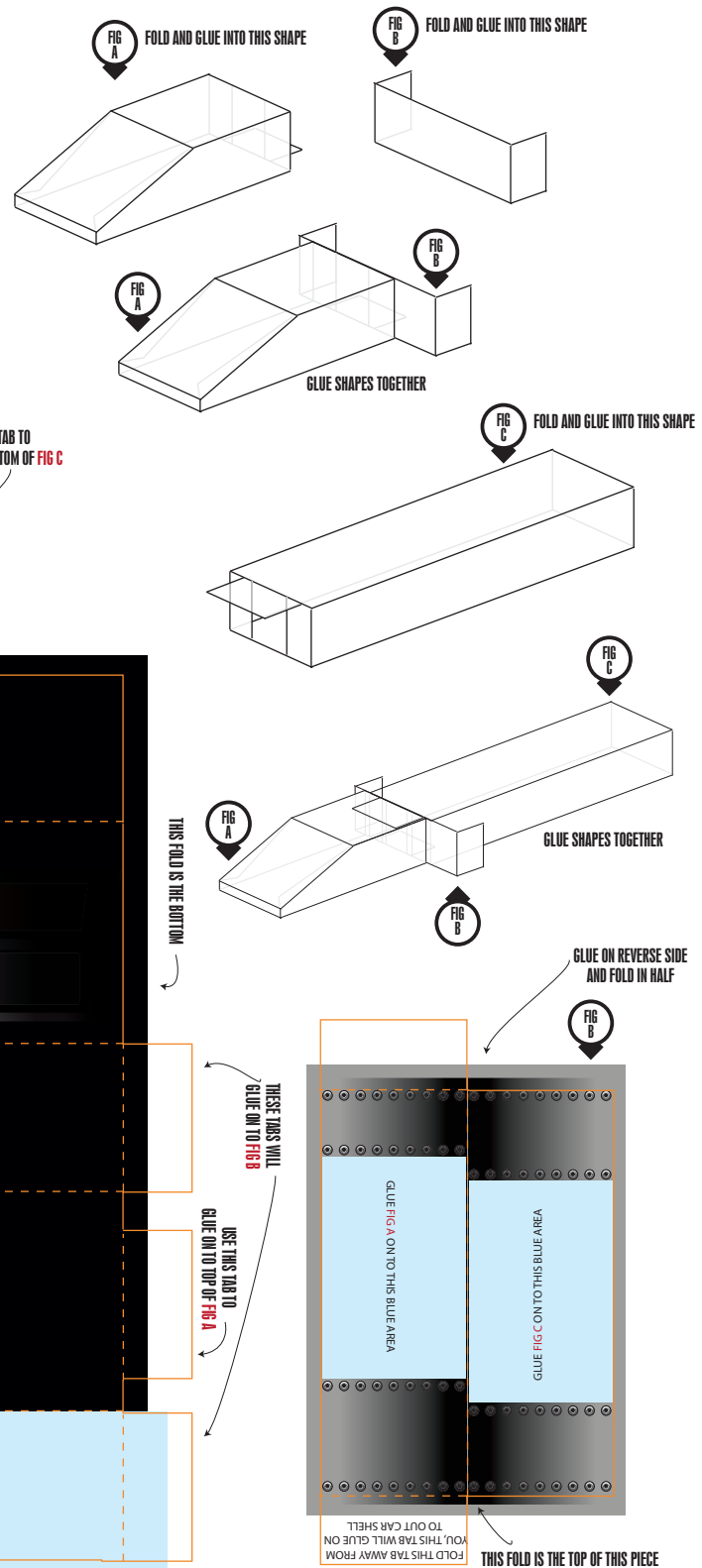
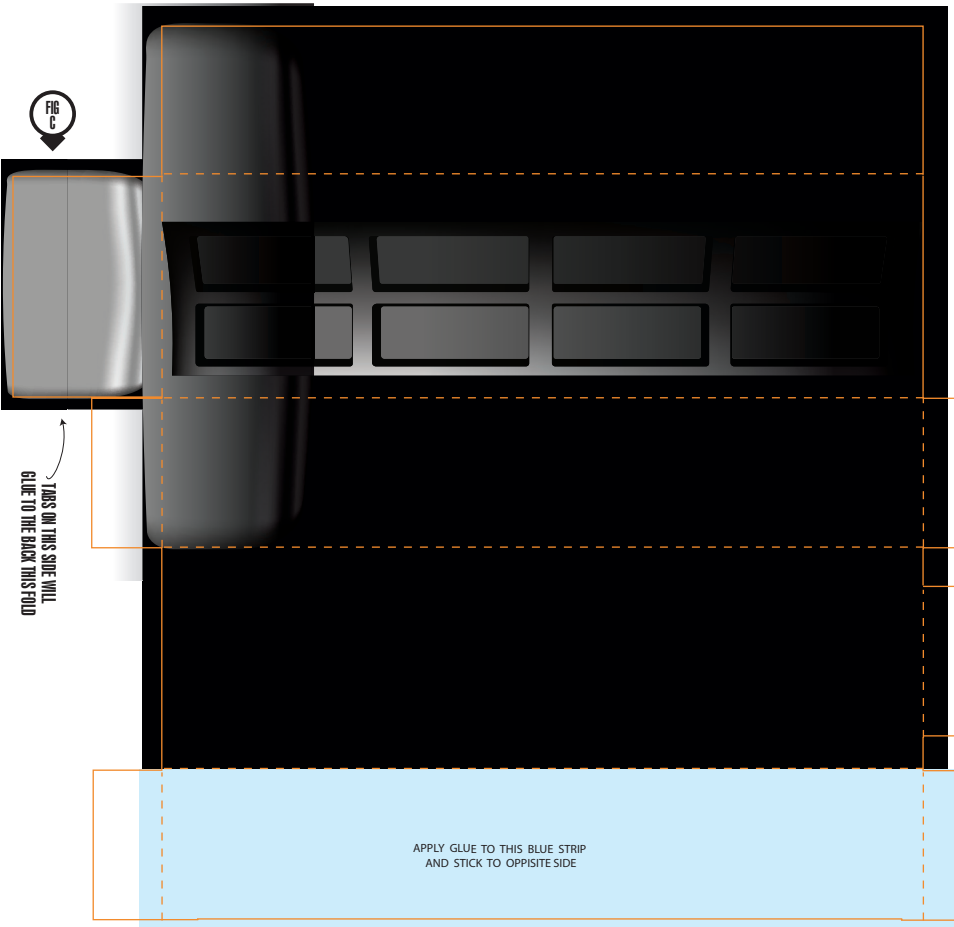
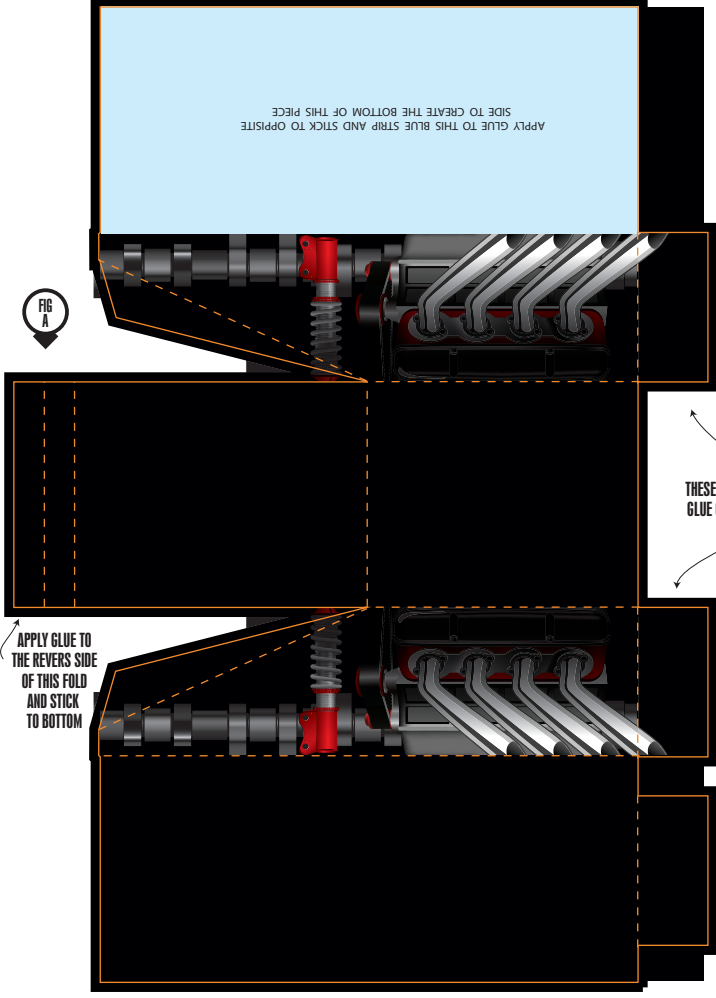
USE THIS TAB TO GLUE ON TO TOP OF FIG A

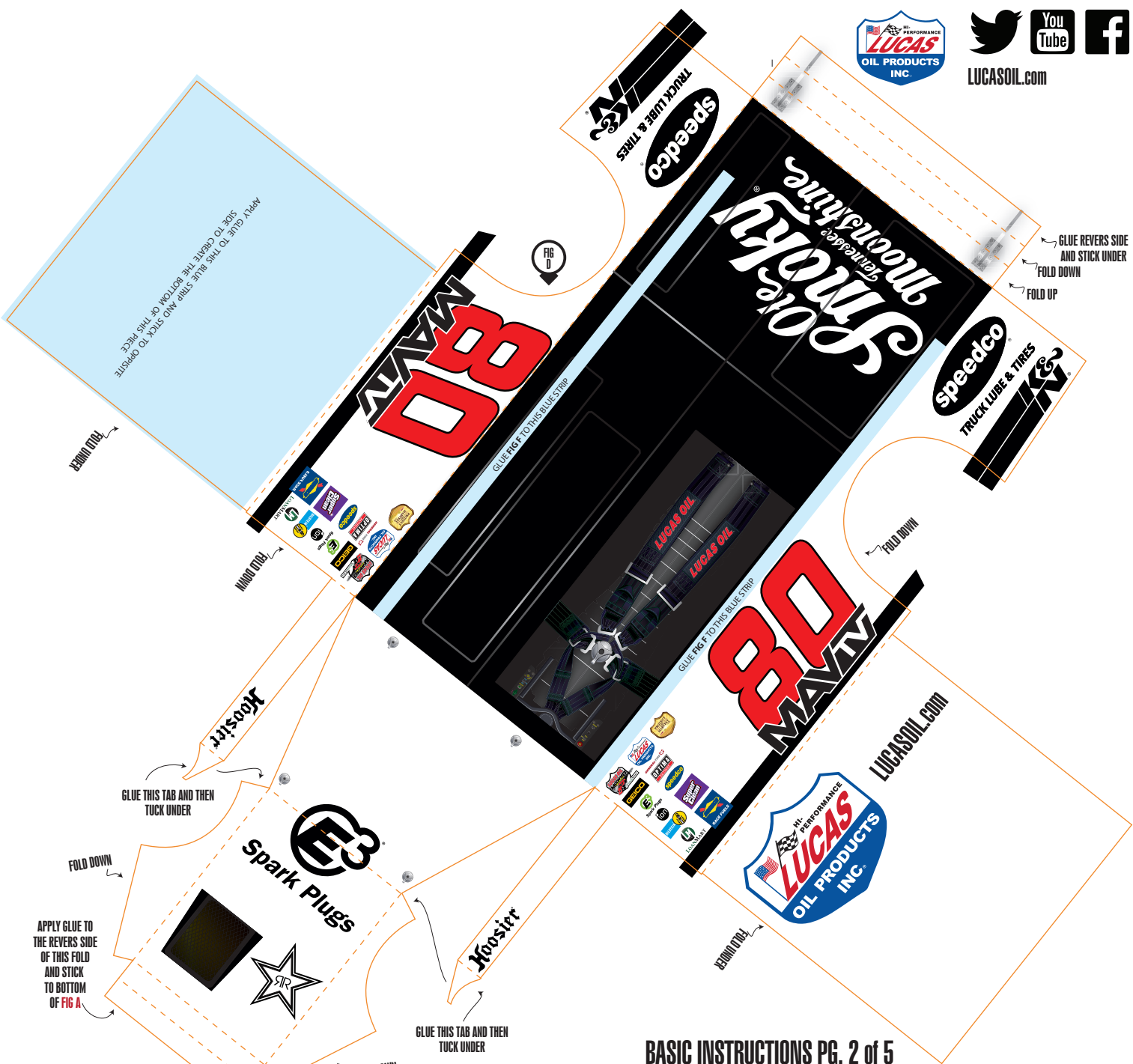
GLUE FIG A ON TO THIS BLUE AREA

GLUE FIG C ON TO THIS BLUE AREA

FOLD THIS TAB AWAY FROM YOU, THIS TAB WILL GLUE ON TO OUT CAR SHELL

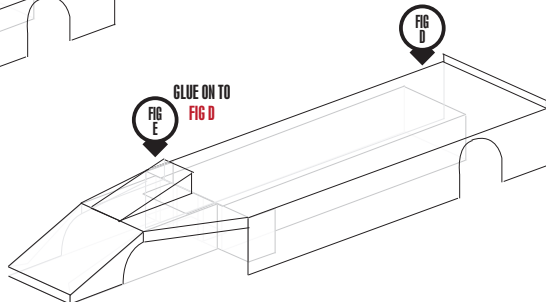
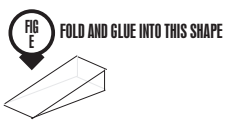
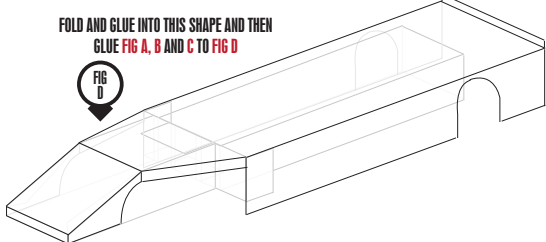
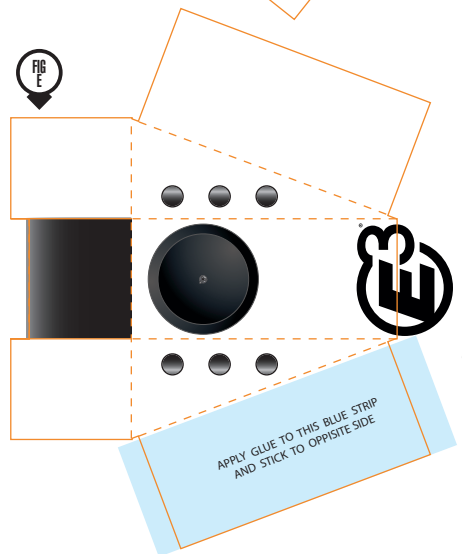
THIS FOLD IS THE TOP OF THIS PIECE





BASIC INSTRUCTIONS PG. 2 of 5

- PRINT OUT
- CUT OUT ALONG SOLID LINES AND THEN FOLD ON DOTTED LINES (XACTO KNIFE WORKS BEST)

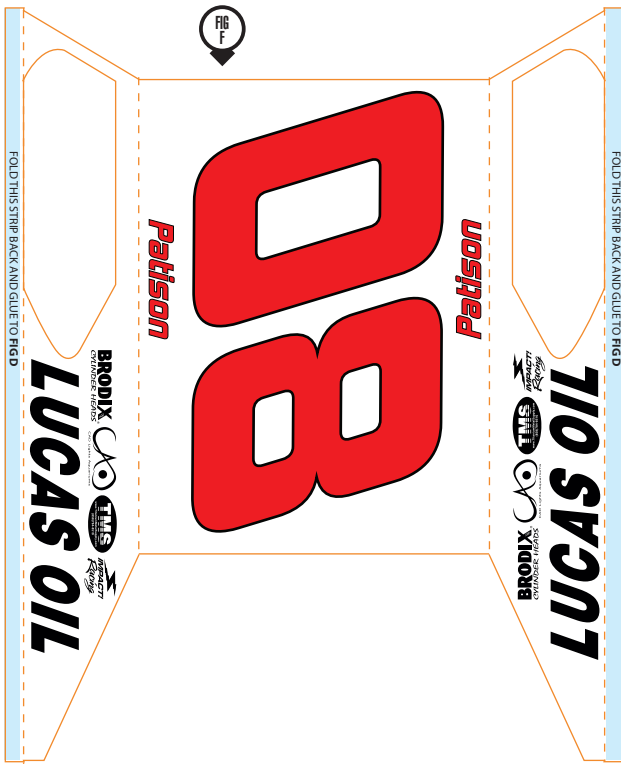




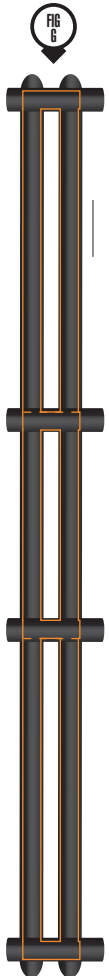
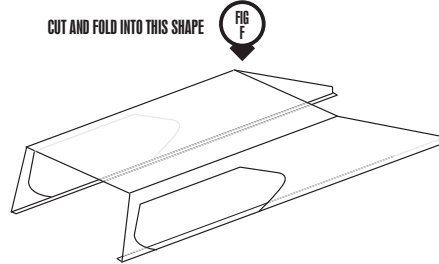
LUCASOIL.com

BASIC INSTRUCTIONS PG. 3 of 5

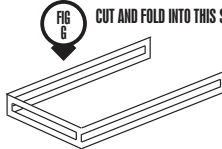
- PRINT OUT
- CUT OUT ALONG SOLID LINES AND THEN FOLD ON DOTTED LINES (XACTO KNIFE WORKS BEST)



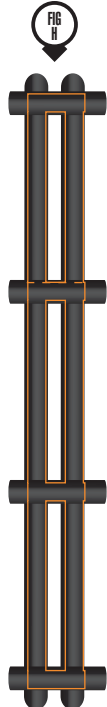
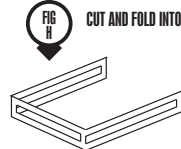
CUT AND FOLD INTO THIS SHAPE



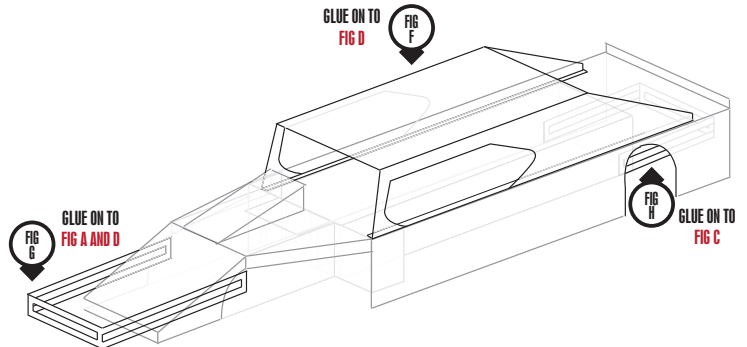
CUT AND FOLD INTO THIS SHAPE



CUT AND FOLD INTO THIS SHAPE



GLUE ON TO FIG D



BASIC INSTRUCTIONS PG. 5 of 5

- PRINT OUT
- CUT OUT ALONG SOLID LINES AND THEN FOLD ON DOTTED LINES (XACTO KNIFE WORKS BEST)

FIG M GLUE TO DRIVER FRONT AND ASSEMBLED TIRE

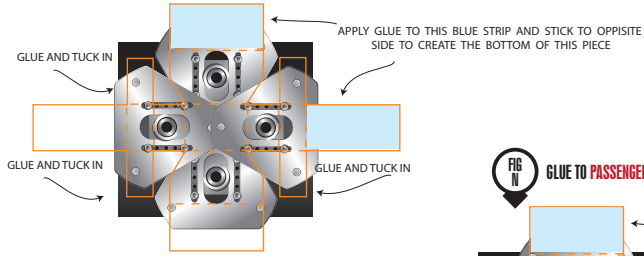


FIG N GLUE TO PASSENGER FRONT AND ASSEMBLED TIRE

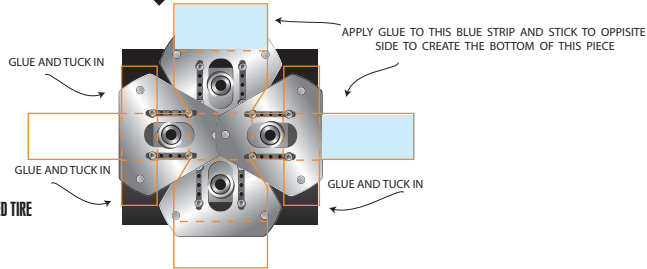


FIG O GLUE TO DRIVER REAR AND ASSEMBLED TIRE

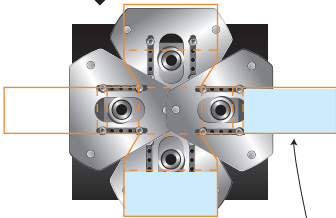


FIG P GLUE TO PASSENGER REAR AND ASSEMBLED TIRE

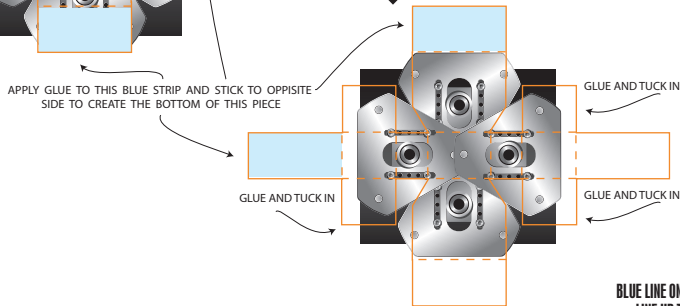
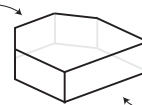


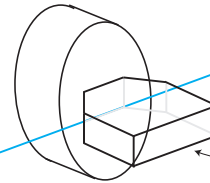
FIG M, N, O AND P WILL ALL FOLD INTO A SHAPE SIMILAR TO THE ONE BELOW

THIS SIDE WILL GLUE ONTO THE CAR FIG J OF THE ASSEMBLED TIRE



THIS SIDE WILL GLUE ONTO THE CAR

BLUE LINE ON FIG J SHOULD LINE UP TO BOTTOM OF FOLDED PIECE



USE BOTTOM EDGE TO LINE TO BOTTOM OFF ASSEMBLED CAR

GLUE TO PASSENGER FRONT AND ASSEMBLED TIRE

FIG N

FIG P GLUE TO PASSENGER REAR AND ASSEMBLED TIRE

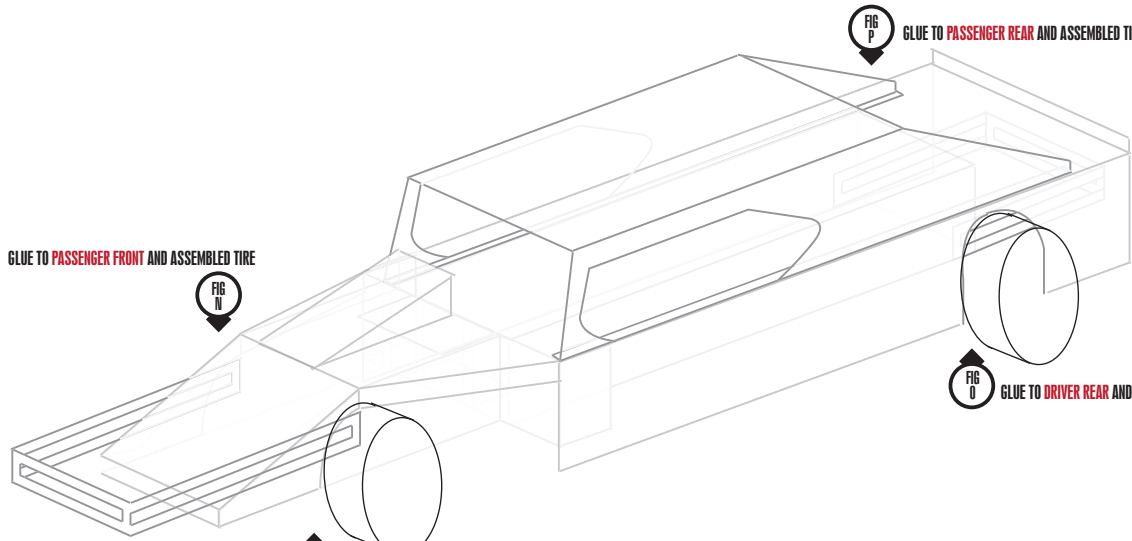


FIG M GLUE TO DRIVER FRONT AND ASSEMBLED TIRE

FIG O GLUE TO DRIVER REAR AND ASSEMBLED TIRE